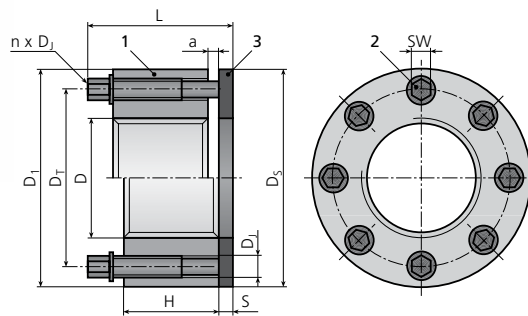


H650

Устройство натяжения Superbolt гаечного типа, для средних температур



| МЕТРИЧЕСКИЕ ЕДИНИЦЫ | Размер | | | Корпус гайки | | | Нажимной болт | | | | Закалённая шайба | | Высота общ. L [mm] | Вес [kg] | Общий натяг ном. F ₁ [kN] | Момент нажимного болта ном. M ₁ [Nm] | |
|------------------------|----------|-------------|---|--------------|----------------|-----------|----------------|------------------------|----|----|------------------|------------------------|-----------------------------|-------------|--|--|-----|
| | № детали | Резьба D | Доступный шаг резьбы P ₁ P ₂ P ₃ [mm] | | D ₁ | H [mm] | D _T | D _J [mm] | n | SW | a [mm] | D _S [mm] | | | | | S |
| H650-M20x...W | M20 | 2.5 | 1.5 | 1 | 38 | 16 | 29 | M6x0.75 | 6 | 5 | 6 | 38 | 4 | 34 | 0.14 | 75 | 10 |
| H650-M22x...W | M22 | 2.5 | 1.5 | 1 | 41 | 16 | 31 | M6x0.75 | 6 | 5 | 6 | 41 | 4 | 34 | 0.16 | 94 | 12 |
| H650-M24x...W | M24 | 3 | 2 | 1.5 | 44 | 16 | 33 | M6x0.75 | 8 | 5 | 6 | 43 | 4 | 34 | 0.19 | 110 | 11 |
| H650-M27x...W | M27 | 3 | 2 | 1.5 | 50 | 24 | 39 | M8x1 | 6 | 6 | 6 | 50 | 5 | 45 | 0.35 | 140 | 24 |
| H650-M30x...W | M30 | 3.5 | 2 | 1.5 | 53 | 24 | 42 | M8x1 | 6 | 6 | 6 | 53 | 5 | 45 | 0.37 | 175 | 30 |
| H650-M33x...W | M33 | 3.5 | 2 | 1.5 | 59 | 24 | 45 | M8x1 | 8 | 6 | 6 | 59 | 5 | 45 | 0.48 | 215 | 27 |
| H650-M36x...W | M36 | 4 | 3 | 1.5 | 66 | 32 | 51 | M10x1.25 | 6 | 8 | 8 | 66 | 5 | 57 | 0.76 | 255 | 53 |
| H650-M39x...W | M39 | 4 | 3 | 1.5 | 70 | 32 | 54 | M10x1.25 | 8 | 8 | 8 | 70 | 5 | 57 | 0.90 | 300 | 47 |
| H650-M42x...W | M42 | 4.5 | 3 | 1.5 | 75 | 32 | 57 | M10x1.25 | 8 | 8 | 8 | 73 | 5 | 57 | 1.01 | 350 | 55 |
| H650-M45x...W | M45 | 4.5 | 3 | 1.5 | 83 | 38 | 63 | M12x1.25 | 8 | 10 | 10 | 81 | 6 | 68 | 1.48 | 405 | 75 |
| H650-M48x...W | M48 | 5 | 3 | 1.5 | 85 | 38 | 66 | M12x1.25 | 8 | 10 | 10 | 85 | 6 | 68 | 1.50 | 455 | 85 |
| H650-M52x...W | M52 | 5 | 3 | 2 | 94 | 38 | 70 | M12x1.25 | 8 | 10 | 10 | 89 | 6 | 68 | 1.80 | 540 | 100 |
| H650-M56x...W | M56 | 5.5 | 4 | 2 | 100 | 38 | 76 | M12x1.25 | 8 | 10 | 10 | 95 | 6 | 68 | 2.00 | 630 | 120 |
| H650-M60x...W | M60 | 5.5 | 4 | 2 | 107 | 38 | 78 | M12x1.25 | 10 | 10 | 10 | 100 | 6 | 68 | 2.30 | 740 | 110 |
| H650-M64x...W | M64 | 6 | 4 | 2 | 113 | 53 | 87 | M16x1.5 | 8 | 14 | 12 | 112 | 8 | 92 | 3.65 | 830 | 205 |
| H650-M72x...W | M72 | 6 | 4 | 2 | 120 | 56 | 95 | M16x1.5 | 8 | 14 | 9 | 120 | 8 | 92 | 4.00 | 1070 | 265 |
| H650-M76x...W | M76 | 6 | 4 | 2 | 132 | 56 | 100 | M16x1.5 | 12 | 14 | 9 | 127 | 8 | 92 | 5.10 | 1200 | 200 |
| H650-M80x...W | M80 | 6 | 4 | 2 | 132 | 56 | 103 | M16x1.5 | 12 | 14 | 9 | 127 | 8 | 92 | 4.80 | 1330 | 220 |
| H650-M90x...W | M90 | 6 | 4 | 2 | 145 | 59 | 113 | M16x1.5 | 16 | 14 | 13 | 140 | 8 | 99 | 6.00 | 1730 | 215 |
| H650-M100x...W | M100 | 6 | 4 | 2 | 164 | 61 | 123 | M16x1.5 | 16 | 14 | 11 | 152 | 8 | 99 | 7.80 | 2170 | 270 |
| H650-M110x...W | M110 | 6 | 4 | 2 | 177 | 79 | 139 | M20x1.5 | 12 | 17 | 16 | 172 | 10 | 125 | 11.40 | 2650 | 550 |
| H650-M120x...W | M120 | 6 | 4 | 2 | 189 | 81 | 149 | M20x1.5 | 16 | 17 | 14 | 179 | 10 | 125 | 13.00 | 3210 | 500 |
| H650-M125x...W | M125 | 6 | 4 | 2 | 194 | 81 | 154 | M20x1.5 | 16 | 17 | 14 | 190 | 10 | 125 | 13.50 | 3470 | 540 |

Компоненты:
1 Корпус гайки
2 Нажимные болты
3 Закалённая шайба

| ДУЙМОВЫЕ ЕДИНИЦЫ | Размер | | | Корпус гайки | | | Нажимной болт | | | | Закалённая шайба | | Высота общ. L [In] | Вес [Lb] | Общий натяг ном. F ₁ [Lb] | Момент нажимного болта ном. M ₁ [Lbft] | |
|---------------------|----------|---------------------|--|--------------|----------------|-----------|----------------|------------------------|----|------|------------------|------------------------|-----------------------------|-------------|--|--|-----|
| | № детали | Резьба D [In] | Доступный шаг резьбы, TPI TPI ₁ TPI ₂ TPI ₃ | | D ₁ | H [In] | D _T | D _J [In] | n | SW | a [In] | D _S [In] | | | | | S |
| H650-075...W | 3/4 | 10 | 16 | - | 1.47 | .70 | 1.132 | 1/4-28 | 4 | 3/16 | 0.24 | 1.50 | 0.13 | 1.38 | 0.31 | 13950 | 9 |
| H650-087...W | 7/8 | 9 | 14 | - | 1.60 | .70 | 1.262 | 1/4-28 | 6 | 3/16 | 0.24 | 1.63 | 0.13 | 1.38 | 0.34 | 19790 | 9 |
| H650-100...W | 1 | 8 | 12 | 14 | 1.90 | .93 | 1.456 | 5/16-24 | 6 | 1/4 | 0.20 | 2.00 | 0.19 | 1.71 | 0.68 | 27260 | 15 |
| H650-112...W | 1-1/8 | 7 | 8 | 12 | 2.08 | .93 | 1.585 | 5/16-24 | 6 | 1/4 | 0.20 | 2.13 | 0.19 | 1.71 | 0.79 | 35570 | 20 |
| H650-125...W | 1-1/4 | 7 | 8 | 12 | 2.25 | .94 | 1.747 | 5/16-24 | 8 | 1/4 | 0.19 | 2.38 | 0.19 | 1.71 | 0.92 | 44990 | 19 |
| H650-137...W | 1-3/8 | 6 | 8 | 12 | 2.46 | 1.20 | 1.941 | 3/8-24 | 6 | 5/16 | 0.25 | 2.50 | 0.19 | 2.12 | 1.40 | 55510 | 37 |
| H650-150...W | 1-1/2 | 6 | 8 | 12 | 2.70 | 1.20 | 2.070 | 3/8-24 | 8 | 5/16 | 0.25 | 2.75 | 0.19 | 2.12 | 1.70 | 67130 | 33 |
| H650-162...W | 1-5/8 | 6 | 8 | 12 | 2.96 | 1.20 | 2.200 | 3/8-24 | 8 | 5/16 | 0.25 | 2.88 | 0.19 | 2.12 | 2.01 | 79860 | 40 |
| H650-175...W | 1-3/4 | 5 | 8 | 12 | 3.08 | 1.42 | 2.381 | 7/16-20 | 8 | 3/8 | 0.28 | 3.13 | 0.25 | 2.49 | 2.53 | 93700 | 54 |
| H650-187...W | 1-7/8 | 6 | 8 | 12 | 3.59 | 1.60 | 2.743 | 1/2-20 | 8 | 7/16 | 0.40 | 3.50 | 0.25 | 2.85 | 4.07 | 108600 | 71 |
| H650-200...W | 2 | 4.5 | 8 | 12 | 3.59 | 1.60 | 2.743 | 1/2-20 | 8 | 7/16 | 0.40 | 3.50 | 0.25 | 2.85 | 3.87 | 124700 | 81 |
| H650-225...W | 2-1/4 | 4.5 | 8 | 12 | 3.95 | 1.60 | 3.003 | 1/2-20 | 8 | 7/16 | 0.40 | 3.75 | 0.25 | 2.85 | 4.51 | 160100 | 104 |
| H650-250...W | 2-1/2 | 4 | 8 | 12 | 4.45 | 2.10 | 3.429 | 5/8-18 | 8 | 9/16 | 0.45 | 4.50 | 0.31 | 3.61 | 7.82 | 199900 | 163 |
| H650-275...W | 2-3/4 | 4 | 8 | 12 | 4.70 | 2.10 | 3.688 | 5/8-18 | 8 | 9/16 | 0.45 | 4.75 | 0.31 | 3.61 | 8.36 | 244100 | 199 |
| H650-300...W | 3 | 4 | 6 | 8 | 5.20 | 2.10 | 3.947 | 5/8-18 | 12 | 9/16 | 0.45 | 5.00 | 0.31 | 3.61 | 10.30 | 292800 | 159 |
| H650-325...W | 3-1/4 | 4 | 6 | 8 | 5.45 | 2.20 | 4.150 | 5/8-18 | 12 | 9/16 | 0.35 | 5.00 | 0.31 | 3.61 | 11.04 | 345900 | 188 |
| H650-350...W | 3-1/2 | 4 | 6 | 8 | 5.70 | 2.30 | 4.400 | 5/8-18 | 16 | 9/16 | 0.51 | 5.50 | 0.31 | 3.87 | 12.62 | 403300 | 164 |
| H650-375...W | 3-3/4 | 4 | 6 | 8 | 6.20 | 2.40 | 4.650 | 5/8-18 | 16 | 9/16 | 0.41 | 5.50 | 0.31 | 3.87 | 15.08 | 465300 | 189 |
| H650-400...W | 4 | 4 | 6 | 8 | 6.45 | 2.60 | 4.900 | 5/8-18 | 18 | 9/16 | 0.53 | 6.00 | 0.31 | 4.19 | 17.31 | 531600 | 192 |
| H650-425...W | 4-1/4 | 4 | 6 | 8 | 6.95 | 3.00 | 5.330 | 3/4-16 | 16 | 5/8 | 0.50 | 6.40 | 0.38 | 4.76 | 23.41 | 602300 | 291 |
| H650-450...W | 4-1/2 | 4 | 6 | 8 | 7.20 | 3.00 | 5.580 | 3/4-16 | 16 | 5/8 | 0.50 | 6.65 | 0.38 | 4.76 | 24.44 | 677500 | 328 |
| H650-475...W | 4-3/4 | 4 | 6 | 8 | 7.45 | 3.20 | 5.830 | 3/4-16 | 18 | 5/8 | 0.60 | 6.90 | 0.38 | 5.06 | 27.13 | 757100 | 326 |
| H650-500...W | 5 | 4 | 6 | 8 | 7.70 | 3.30 | 6.080 | 3/4-16 | 20 | 5/8 | 0.50 | 7.15 | 0.38 | 5.06 | 28.83 | 841100 | 325 |

Примечания: - Может быть выбран другой размер, шаг резьбы, число витков на дюйм (TPI). Обратитесь в местное представительство Nord-Lock.
- Приведены типовые размеры. Применяются допуски производителя (примерно в пределах до 1мм или 1%).