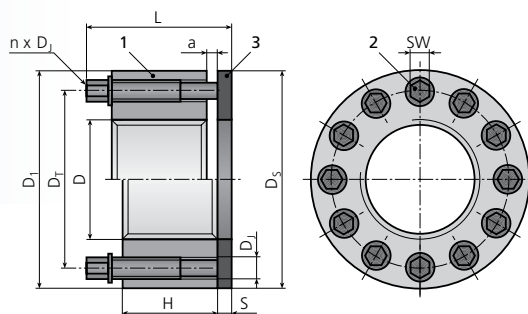


# СУ

## Устройство натяжения Superbolt гаечного типа, высоко-прочное



- Компоненты:  
 1 Корпус гайки  
 2 Нажимные болты  
 3 Закалённая шайба

| МЕТРИЧЕСКИЕ ЕДИНИЦЫ | Размер Резьба | Доступный шаг резьбы |                |                | Корпус гайки   |                |     | Нажимной болт  |                     |    |    | Закалённая шайба |                     | Высота общ. | Вес   | Общий предварительный натяг ном. |                | Момент нажимного болта |                |
|---------------------|---------------|----------------------|----------------|----------------|----------------|----------------|-----|----------------|---------------------|----|----|------------------|---------------------|-------------|-------|----------------------------------|----------------|------------------------|----------------|
|                     |               | D                    | P <sub>1</sub> | P <sub>2</sub> | P <sub>3</sub> | D <sub>1</sub> | H   | D <sub>T</sub> | D <sub>J</sub> [mm] | n  | SW | a                | D <sub>3</sub> [mm] |             |       | S                                | F <sub>1</sub> | F <sub>2</sub>         | M <sub>1</sub> |
| CY-M16x...W         | M16           | 2                    | 1.5            | 1              | 34             | 16             | 25  | M6x0.75        | 6                   | 5  | 6  | 32               | 3                   | 33          | 0.12  | 110                              | 140            | 14                     | 18             |
| CY-M20x...W         | M20           | 2.5                  | 1.5            | 1              | 38             | 17             | 29  | M6x0.75        | 8                   | 5  | 5  | 38               | 4                   | 34          | 0.15  | 145                              | 185            | 14                     | 18             |
| CY-M22x...W         | M22           | 2.5                  | 1.5            | 1              | 41             | 17             | 31  | M6x0.75        | 8                   | 5  | 5  | 41               | 4                   | 34          | 0.17  | 145                              | 185            | 14                     | 18             |
| CY-M24x...W         | M24           | 3                    | 2              | 1.5            | 47             | 24             | 36  | M8x1           | 6                   | 6  | 6  | 47               | 4                   | 44          | 0.30  | 215                              | 285            | 36                     | 48             |
| CY-M27x...W         | M27           | 3                    | 2              | 1.5            | 51             | 24             | 39  | M8x1           | 8                   | 6  | 6  | 50               | 5                   | 45          | 0.37  | 285                              | 380            | 36                     | 48             |
| CY-M30x...W         | M30           | 3.5                  | 2              | 1.5            | 54             | 24             | 42  | M8x1           | 8                   | 6  | 6  | 53               | 5                   | 45          | 0.38  | 285                              | 380            | 36                     | 48             |
| CY-M33x...W         | M33           | 3.5                  | 2              | 1.5            | 62             | 32             | 48  | M10x1.25       | 6                   | 8  | 8  | 61               | 5                   | 57          | 0.70  | 345                              | 460            | 72                     | 96             |
| CY-M36x...W         | M36           | 4                    | 3              | 1.5            | 66             | 32             | 51  | M10x1.25       | 8                   | 8  | 8  | 66               | 5                   | 57          | 0.79  | 455                              | 610            | 72                     | 96             |
| CY-M39x...W         | M39           | 4                    | 3              | 1.5            | 72             | 32             | 54  | M10x1.25       | 10                  | 8  | 8  | 70               | 5                   | 57          | 0.97  | 570                              | 760            | 72                     | 96             |
| CY-M42x...W         | M42           | 4.5                  | 3              | 1.5            | 76             | 32             | 57  | M10x1.25       | 12                  | 8  | 8  | 73               | 5                   | 57          | 1.10  | 685                              | 915            | 72                     | 96             |
| CY-M45x...W         | M45           | 4.5                  | 3              | 1.5            | 81             | 38             | 62  | M12x1.25       | 8                   | 10 | 10 | 80               | 6                   | 68          | 1.40  | 700                              | 935            | 131                    | 175            |
| CY-M48x...W         | M48           | 5                    | 3              | 1.5            | 85             | 38             | 66  | M12x1.25       | 10                  | 10 | 10 | 85               | 6                   | 68          | 1.54  | 875                              | 1170           | 131                    | 175            |
| CY-M52x...W         | M52           | 5                    | 3              | 2              | 94             | 38             | 70  | M12x1.25       | 12                  | 10 | 10 | 90               | 6                   | 68          | 1.80  | 1050                             | 1400           | 131                    | 175            |
| CY-M56x...W         | M56           | 5.5                  | 4              | 2              | 98             | 38             | 74  | M12x1.25       | 12                  | 10 | 10 | 94               | 6                   | 68          | 1.93  | 1050                             | 1400           | 131                    | 175            |
| CY-M60x...W         | M60           | 5.5                  | 4              | 2              | 107            | 59             | 83  | M16x1.5        | 8                   | 14 | 13 | 106              | 8                   | 99          | 3.70  | 1270                             | 1670           | 315                    | 420            |
| CY-M64x...W         | M64           | 6                    | 4              | 2              | 113            | 59             | 87  | M16x1.5        | 10                  | 14 | 13 | 112              | 8                   | 99          | 4.10  | 1580                             | 2100           | 315                    | 420            |
| CY-M68x...W         | M68           | 6                    | 4              | 2              | 117            | 59             | 91  | M16x1.5        | 12                  | 14 | 13 | 117              | 8                   | 99          | 4.30  | 1900                             | 2530           | 315                    | 420            |
| CY-M72x...W         | M72           | 6                    | 4              | 2              | 121            | 59             | 95  | M16x1.5        | 12                  | 14 | 13 | 120              | 8                   | 99          | 4.50  | 1900                             | 2530           | 315                    | 420            |
| CY-M76x...W         | M76           | 6                    | 4              | 2              | 132            | 61             | 102 | M16x1.5        | 16                  | 14 | 11 | 127              | 8                   | 99          | 5.60  | 2530                             | 3370           | 315                    | 420            |
| CY-M80x...W         | M80           | 6                    | 4              | 2              | 133            | 61             | 103 | M16x1.5        | 16                  | 14 | 11 | 127              | 8                   | 99          | 5.40  | 2530                             | 3370           | 315                    | 420            |
| CY-M85x...W         | M85           | 6                    | 4              | 2              | 139            | 61             | 108 | M16x1.5        | 16                  | 14 | 11 | 137              | 8                   | 99          | 5.80  | 2530                             | 3370           | 315                    | 420            |
| CY-M90x...W         | M90           | 6                    | 4              | 2              | 145            | 61             | 113 | M16x1.5        | 16                  | 14 | 11 | 140              | 8                   | 99          | 6.30  | 2530                             | 3370           | 315                    | 420            |
| CY-M100x...W        | M100          | 6                    | 4              | 2              | 157            | 61             | 123 | M16x1.5        | 16                  | 14 | 11 | 152              | 8                   | 99          | 7.00  | 2530                             | 3370           | 315                    | 420            |
| CY-M110x...W        | M110          | 6                    | 4              | 2              | 177            | 61             | 133 | M16x1.5        | 20                  | 14 | 11 | 163              | 8                   | 99          | 9.00  | 3180                             | 4200           | 315                    | 420            |
| CY-M120x...W        | M120          | 6                    | 4              | 2              | 189            | 81             | 149 | M20x1.5        | 18                  | 17 | 14 | 179              | 10                  | 125         | 13.10 | 4700                             | 6300           | 645                    | 860            |
| CY-M125x...W        | M125          | 6                    | 4              | 2              | 194            | 81             | 154 | M20x1.5        | 18                  | 17 | 14 | 190              | 10                  | 125         | 13.70 | 4700                             | 6300           | 645                    | 860            |
| CY-M130x...W        | M130          | 6                    | 4              | 2              | 205            | 94             | 159 | M20x1.5        | 20                  | 17 | 16 | 202              | 10                  | 140         | 17.60 | 5250                             | 7000           | 645                    | 860            |
| CY-M140x...W        | M140          | 6                    | 4              | 2              | 215            | 94             | 169 | M20x1.5        | 22                  | 17 | 16 | 215              | 10                  | 140         | 18.89 | 5750                             | 7700           | 645                    | 860            |
| CY-M150x...W        | M150          | 6                    | 4              | 2              | 225            | 94             | 179 | M20x1.5        | 22                  | 17 | 16 | 225              | 12                  | 142         | 20.10 | 5750                             | 7700           | 645                    | 860            |
| CY-M160x...W        | M160          | 6                    | 4              | -              | 226            | 107            | 189 | M20x1.5        | 24                  | 17 | 23 | 220              | 10                  | 160         | 20.80 | 6300                             | 8400           | 645                    | 860            |

| ДУЙМОВЫЕ ЕДИНИЦЫ | Размер Резьба | Доступный шаг резьбы, TPI |                  |                  | Корпус гайки     |                |        | Нажимной болт  |                     |      |      | Закалённая шайба |                     | Высота общ. | Вес   | Общий предварительный натяг ном. |                | Момент нажимного болта |                |
|------------------|---------------|---------------------------|------------------|------------------|------------------|----------------|--------|----------------|---------------------|------|------|------------------|---------------------|-------------|-------|----------------------------------|----------------|------------------------|----------------|
|                  |               | D [In]                    | TPI <sub>1</sub> | TPI <sub>2</sub> | TPI <sub>3</sub> | D <sub>1</sub> | H [In] | D <sub>T</sub> | D <sub>J</sub> [In] | n    | SW   | a                | D <sub>3</sub> [In] |             |       | S                                | F <sub>1</sub> | F <sub>2</sub>         | M <sub>1</sub> |
| CY-075-...W      | 3/4           | 10                        | 16               | -                | 1.47             | 0.70           | 1.13   | 1/4-28         | 6                   | 3/16 | 0.24 | 1.50             | 0.13                | 1.38        | 0.31  | 30600                            | 40800          | 14                     | 18             |
| CY-087-...W      | 7/8           | 9                         | 14               | -                | 1.70             | 0.70           | 1.26   | 1/4-28         | 8                   | 3/16 | 0.24 | 1.63             | 0.13                | 1.38        | 0.39  | 40800                            | 54400          | 14                     | 18             |
| CY-100-...W      | 1             | 8                         | 12               | 14               | 1.90             | 0.93           | 1.46   | 5/16-24        | 6                   | 1/4  | 0.20 | 2.00             | 0.19                | 1.71        | 0.68  | 48600                            | 64800          | 27                     | 36             |
| CY-112-...W      | 1-1/8         | 7                         | 8                | 12               | 2.08             | 0.93           | 1.59   | 5/16-24        | 8                   | 1/4  | 0.20 | 2.13             | 0.19                | 1.71        | 0.78  | 64800                            | 86400          | 27                     | 36             |
| CY-125-...W      | 1-1/4         | 7                         | 8                | 12               | 2.32             | 1.20           | 1.81   | 3/8-24         | 6                   | 5/16 | 0.25 | 2.38             | 0.19                | 2.12        | 1.30  | 73800                            | 98400          | 49                     | 65             |
| CY-137-...W      | 1-3/8         | 6                         | 8                | 12               | 2.46             | 1.20           | 1.92   | 3/8-24         | 8                   | 5/16 | 0.25 | 2.50             | 0.19                | 2.12        | 1.42  | 98400                            | 131200         | 49                     | 65             |
| CY-150-...W      | 1-1/2         | 6                         | 8                | 12               | 2.80             | 1.42           | 2.13   | 7/16-20        | 8                   | 3/8  | 0.28 | 2.75             | 0.19                | 2.43        | 2.11  | 129600                           | 172800         | 75                     | 100            |
| CY-162-...W      | 1-5/8         | 6                         | 8                | 12               | 2.96             | 1.42           | 2.26   | 7/16-20        | 8                   | 3/8  | 0.28 | 2.88             | 0.19                | 2.43        | 2.29  | 129600                           | 172800         | 75                     | 100            |
| CY-175-...W      | 1-3/4         | 5                         | 8                | 12               | 3.20             | 1.42           | 2.38   | 7/16-20        | 12                  | 3/8  | 0.28 | 3.13             | 0.25                | 2.49        | 2.80  | 194400                           | 259200         | 75                     | 100            |
| CY-187-...W      | 1-7/8         | 6                         | 8                | 12               | 3.59             | 1.60           | 2.74   | 1/2-20         | 8                   | 7/16 | 0.40 | 3.50             | 0.25                | 2.85        | 4.07  | 175200                           | 233600         | 114                    | 152            |
| CY-200-...W      | 2             | 4.5                       | 8                | 12               | 3.70             | 1.60           | 2.74   | 1/2-20         | 12                  | 7/16 | 0.40 | 3.50             | 0.25                | 2.85        | 4.24  | 262800                           | 350400         | 114                    | 152            |
| CY-225-...W      | 2-1/4         | 4.5                       | 8                | 12               | 3.95             | 1.60           | 3.00   | 1/2-20         | 12                  | 7/16 | 0.40 | 3.75             | 0.25                | 2.85        | 4.59  | 262800                           | 350400         | 114                    | 152            |
| CY-250-...W      | 2-1/2         | 4                         | 8                | 12               | 4.45             | 2.30           | 3.43   | 5/8-18         | 12                  | 9/16 | 0.51 | 4.50             | 0.31                | 3.87        | 8.64  | 428400                           | 571200         | 233                    | 310            |
| CY-275-...W      | 2-3/4         | 4                         | 8                | 12               | 4.70             | 2.40           | 3.69   | 5/8-18         | 12                  | 9/16 | 0.51 | 4.75             | 0.31                | 3.87        | 9.45  | 428400                           | 571200         | 233                    | 310            |
| CY-300-...W      | 3             | 4                         | 6                | 8                | 5.20             | 2.30           | 3.95   | 5/8-18         | 16                  | 9/16 | 0.51 | 5.00             | 0.31                | 3.87        | 11.33 | 571200                           | 761600         | 233                    | 310            |
| CY-325-...W      | 3-1/4         | 4                         | 6                | 8                | 5.45             | 2.30           | 4.15   | 5/8-18         | 16                  | 9/16 | 0.51 | 5.00             | 0.31                | 3.87        | 11.79 | 571200                           | 761600         | 233                    | 310            |
| CY-350-...W      | 3-1/2         | 4                         | 6                | 8                | 5.70             | 2.40           | 4.40   | 5/8-18         | 18                  | 9/16 | 0.41 | 5.50             | 0.31                | 3.87        | 13.02 | 642600                           | 856800         | 233                    | 310            |
| CY-375-...W      | 3-3/4         | 4                         | 6                | 8                | 5.95             | 2.40           | 4.65   | 5/8-18         | 18                  | 9/16 | 0.41 | 5.50             | 0.31                | 3.87        | 13.49 | 642600                           | 856800         | 233                    | 310            |
| CY-400-...W      | 4             | 4                         | 6                | 8                | 6.20             | 2.60           | 4.90   | 5/8-18         | 20                  | 9/16 | 0.53 | 6.00             | 0.31                | 4.19        | 15.50 | 714000                           | 952000         | 233                    | 310            |
| CY-425-...W      | 4-1/4         | 4                         | 6                | 8                | 6.95             | 3.00           | 5.33   | 3/4-16         | 18                  | 5/8  | 0.50 | 6.40             | 0.38                | 4.76        | 23.50 | 907200                           | 1209600        | 390                    | 520            |
| CY-450-...W      | 4-1/2         | 4                         | 6                | 8                | 7.20             | 3.00           | 5.58   | 3/4-16         | 18                  | 5/8  | 0.50 | 6.65             | 0.38                | 4.76        | 24.53 | 907200                           | 1209600        | 390                    | 520            |
| CY-475-...W      | 4-3/4         | 4                         | 6                | 8                | 7.45             | 3.20           | 5.83   | 3/4-16         | 20                  | 5/8  | 0.60 | 6.90             | 0.38                | 5.06        | 29.90 | 1008000                          | 1344000        | 390                    | 520            |
| CY-500-...W      | 5             | 4                         | 6                | 8                | 7.70             | 3.30           | 6.08   | 3/4-16         | 20                  | 5/8  | 0.50 | 7.15             | 0.38                | 5.06        | 28.83 | 1008000                          | 1344000        | 390                    | 520            |
| CY-525-...W      | 5-1/4         | 4                         | 6                | 8                | 7.95             | 3.70           | 6.58   | 3/4-16         | 22                  | 5/8  | 0.40 | 7.65             | 0.38                | 5.36        | 33.12 | 1108800                          | 1478400        | 390                    | 520            |
| CY-550-...W      | 5-1/2         | 4                         | 6                | 8                | 7.95             | 3.70           | 6.58   | 3/4-16         | 22                  | 5/8  | 0.40 | 7.65             | 0.38                | 5.36        | 30.62 | 1108800                          | 1478400        | 390                    | 520            |
| CY-575-...W      | 5-3/4         | 4                         | 6                | 8                | 8.45             | 4.00           | 7.08   | 3/4-16         | 24                  | 5/8  | 0.50 | 8.15             | 0.38                | 5.76        | 38.31 | 1209600                          | 1612800        | 390                    | 520            |
| CY-600-...W      | 6             | 4                         | 6                | 8                | 8.45             | 4.00           | 7.08   | 3/4-16         | 24                  | 5/8  | 0.50 | 8.15             | 0.38                | 5.76        | 35.36 | 1209600                          | 1612800        | 390                    | 520            |

Примечания:  
 - Максимальные значения действительны для постоянных болтовых соединений, включая реактивные силы.  
 - Может быть предложен другой размер, шаг резьбы, число витков на дюйм (TPI). Обратитесь в местное представительство Nord-Lock.  
 - Приведены типовые размеры. Применяются допуски производителя (примерно в пределах до 1мм или 1%).