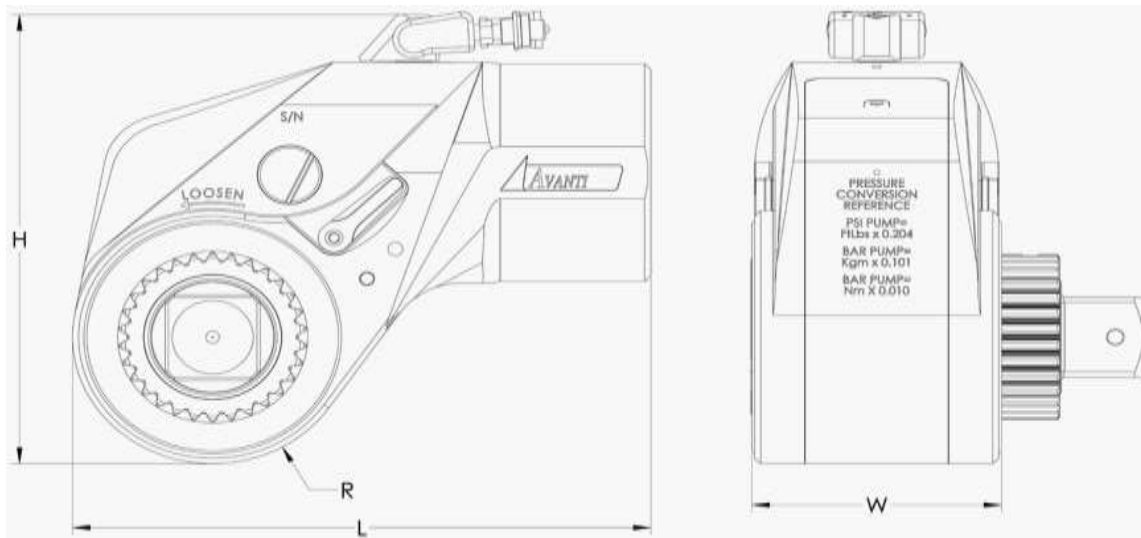


Type Typ	Part-No. Artikelnr.	Square Drive Vierkant	Min. Torque min. Drehmoment		Max. Torque max. Drehmoment		Bolt Size Schrauben- größe [mm]	Weight Gewicht [kg]
			[Nm]	[lbf.ft]	[Nm]	[lbf.ft]		
Avanti-07		3/4"	135	100	1024	755		1,4
Avanti-1		3/4"	257	190	1767	1303		2,0
Avanti-3		1"	584	431	4090	3017		4,3
Avanti-5		1-1/2"	1004	741	7013	5173		7,1
Avanti-8		1-1/2"	1508	1112	10682	7879		9,4
Avanti-10		1-1/2"	1893	1396	15720	11594		13,3
Avanti-20		2-1/2"	3618	2668	24626	18163		21,7
Avanti-35		2-1/2"	6496	4791	46884	34580		37,6
Avanti-50		2-1/2"	9413	6943	58391	43067		57,1
Avanti-130		3-1/2"	27371	20188	191597	141315		265,9



[mm]	R	L	H	W
Avanti-07	25.0	105.2	106.9	45.3
Avanti-1	28.6	127.9	124.9	55.2
Avanti-3	38.1	165.9	160.2	73.7
Avanti-5	47.2	199.5	188.2	85.9
Avanti-8	52.5	224.2	212.7	98.0
Avanti-10	60.3	252.0	236.0	110.5
Avanti-20	66.0	295.7	260.6	128.8
Avanti-35	81.0	363.4	313.2	165.4
Avanti-50	100.3	414.0	356.4	178.8
Avanti-130	134.9	577.3	511.6	215.9



Torque Conversion Chart [bar] / [Nm]
Druck- / Drehmomenttabelle [bar] / [Nm]

Druck (bar)	Drehmoment (Nm)
100	135
120	163
140	191
160	219
180	250
200	278
220	306
240	336
260	366
280	394
300	422
320	453
340	481
360	510
380	541
400	572
420	600
440	629
460	660
480	689
500	718
520	749
540	780
560	809
580	838
600	874
620	904
640	933
660	966
680	995
700	1.024

Torque Conversion Chart [bar] / [Nm]
Druck- / Drehmomenttabelle [bar] / [Nm]

Druck (bar)	Drehmoment (Nm)
100	257
120	308
140	359
160	411
180	466
200	518
220	570
240	620
260	671
280	723
300	774
320	824
340	876
360	927
380	975
400	1.023
420	1.074
440	1.125
460	1.172
480	1.223
500	1.274
520	1.321
540	1.368
560	1.419
580	1.470
600	1.517
620	1.567
640	1.618
660	1.666
680	1.717
700	1.767

Torque Conversion Chart [bar] / [Nm]
Druck- / Drehmomenttabelle [bar] / [Nm]

Druck (bar)	Drehmoment (Nm)
100	584
120	701
140	818
160	935
180	1.052
200	1.169
220	1.285
240	1.402
260	1.519
280	1.636
300	1.753
320	1.870
340	1.987
360	2.103
380	2.220
400	2.337
420	2.454
440	2.571
460	2.688
480	2.805
500	2.921
520	3.038
540	3.155
560	3.272
580	3.389
600	3.506
620	3.623
640	3.739
660	3.856
680	3.973
700	4.090

Torque Conversion Chart [bar] / [Nm]
Druck- / Drehmomenttabelle [bar] / [Nm]

Druck (bar)	Drehmoment (Nm)
100	1.004
120	1.214
140	1.425
160	1.628
180	1.835
200	2.039
220	2.242
240	2.451
260	2.660
280	2.864
300	3.069
320	3.272
340	3.477
360	3.681
380	3.882
400	4.084
420	4.288
440	4.492
460	4.674
480	4.877
500	5.080
520	5.265
540	5.454
560	5.656
580	5.858
600	6.037
620	6.238
640	6.439
660	6.613
680	6.813
700	7.013

Torque Conversion Chart [bar] / [Nm]
Druck- / Drehmomenttabelle [bar] / [Nm]

Druck (bar)	Drehmoment (Nm)
100	1.508
120	1.821
140	2.136
160	2.442
180	2.775
200	3.083
220	3.392
240	3.710
260	4.028
280	4.337
300	4.647
320	4.966
340	5.276
360	5.587
380	5.893
400	6.199
420	6.509
440	6.819
460	7.112
480	7.422
500	7.731
520	8.019
540	8.312
560	8.620
580	8.927
600	9.196
620	9.503
640	9.809
660	10.071
680	10.376
700	10.682

Torque Conversion Chart [bar] / [Nm]
Druck- / Drehmomenttabelle [bar] / [Nm]

Druck (bar)	Drehmoment (Nm)
100	1.893
120	2.272
140	3.205
160	3.663
180	4.121
200	4.579
220	5.037
240	5.495
260	5.931
280	6.387
300	6.843
320	7.299
340	7.755
360	8.135
380	8.587
400	9.039
420	9.491
440	9.943
460	10.344
480	10.794
500	11.244
520	11.694
540	12.144
560	12.652
580	13.104
600	13.556
620	14.008
640	14.460
660	14.822
680	15.271
700	15.720

Torque Conversion Chart [bar] / [Nm]
Druck- / Drehmomenttabelle [bar] / [Nm]

Druck (bar)	Drehmoment (Nm)
100	3.618
120	4.342
140	5.066
160	5.789
180	6.560
200	7.289
220	8.018
240	8.741
260	9.465
280	10.193
300	10.921
320	11.515
340	12.235
360	12.955
380	13.623
400	14.296
420	15.011
440	15.726
460	16.263
480	16.970
500	17.677
520	18.286
540	18.915
560	19.615
580	20.316
600	21.067
620	21.769
640	22.471
660	23.218
680	23.922
700	24.626

Torque Conversion Chart [bar] / [Nm]
Druck- / Drehmomenttabelle [bar] / [Nm]

Druck (bar)	Drehmoment (Nm)
100	6.496
120	7.795
140	9.095
160	10.394
180	11.793
200	13.103
220	14.413
240	15.794
260	17.172
280	18.493
300	19.814
320	21.178
340	22.502
360	23.826
380	25.263
400	26.688
420	28.023
440	29.357
460	30.748
480	32.085
500	33.422
520	34.724
540	36.033
560	37.368
580	38.702
600	40.259
620	41.601
640	42.943
660	44.204
680	45.544
700	46.884

Torque Conversion Chart [bar] / [Nm]
Druck- / Drehmomenttabelle [bar] / [Nm]

Druck (bar)	Drehmoment (Nm)
100	9.413
120	11.322
140	13.235
160	15.126
180	17.285
200	19.205
220	21.126
240	22.937
260	24.752
280	26.656
300	28.560
320	30.078
340	31.958
360	33.838
380	35.361
400	36.923
420	38.769
440	40.615
460	41.713
480	43.527
500	45.340
520	46.532
540	47.844
560	49.616
580	51.388
600	51.225
620	52.933
640	54.640
660	55.054
680	56.723
700	58.391

Torque Conversion Chart [bar] / [Nm]
Druck- / Drehmomenttabelle [bar] / [Nm]

Druck (bar)	Drehmoment (Nm)
100	27.371
120	32.845
140	38.319
160	43.794
180	49.268
200	54.742
220	60.216
240	65.690
260	71.165
280	76.639
300	82.113
320	87.587
340	93.061
360	98.536
380	104.010
400	109.484
420	114.958
440	120.432
460	125.907
480	131.381
500	136.855
520	142.329
540	147.803
560	153.278
580	158.752
600	164.226
620	169.700
640	175.174
660	180.649
680	186.123
700	191.597